

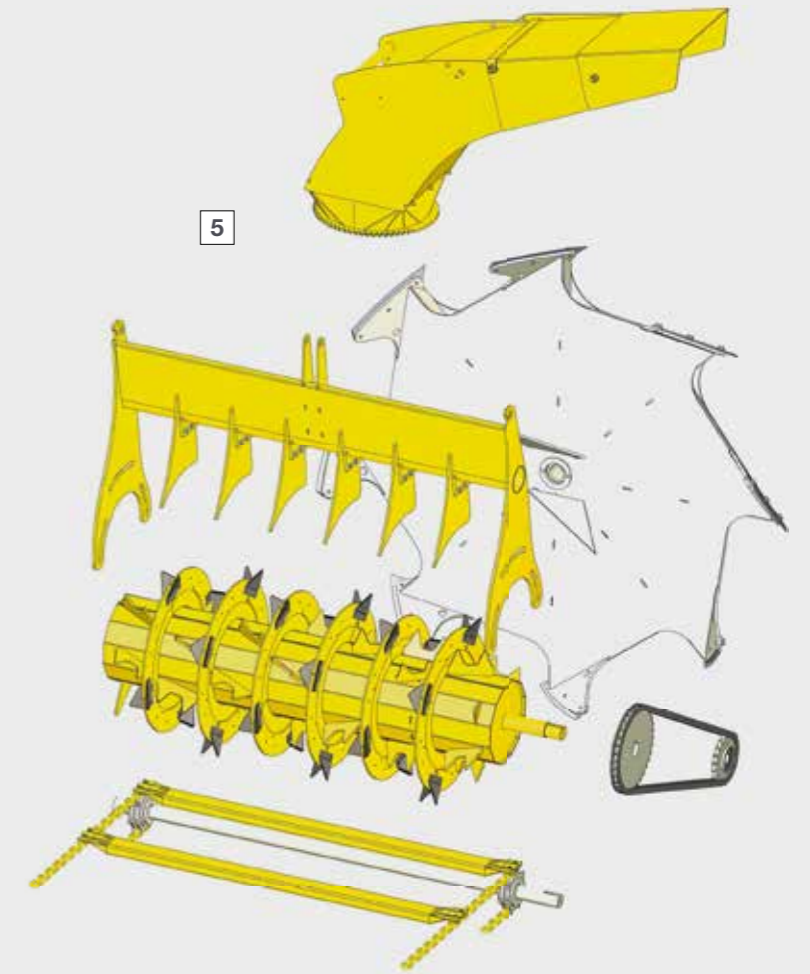


C-KATOR

STRAW BLOWER / CHOPPER



A solution tailored to your needs



3D drawing of C-KATOR straw-bedding bloc with swiveling chute.

- 5** An effective straw-bedding block. LUCAS G. has a unique expertise in straw-bedding. This unit is recognised as being reliable and robust.
1. Mechanical shredder, fitted with 6 discs and 48 V shaped knives, combined with a hydraulic comb which regulates the bale strike depth and the flow of material in the turbine..
 2. Welded turbine (Ø 1.6m 8 smooth blades) cuts and enables regular straw-bedding up to 10 metres.
- The C-KATOR straw-bedding block enables a bale to be passed through in less than 7 minutes to achieve a dense and absorbent straw bed.
- The C-KATOR range has two types of chute: Lateral or Swiveling.**

LUCAS G. SKILLS

- 1** Simple loading. The rounded collection door fitted with an arch enables effective loading of round or square bales. Loading is easily done in stages from the tractor cab via the control system.
- 2** An effective convoy system. The bales are moved on by a hydraulically driven bed chain (9 speeds, from 0 to 20m/min). This system enables the material to arrive in a continual stream at the shredder according to requirements for powerful straw-bedding. The divisible bars and the tensioner make maintenance simple.
- 3** An innovative system. The combination of the chopping area and the cut-off plate guarantees a precise cut size from 4 to 15cm, depending on straw-bedding requirements.
- 4** Driving comfort. The articulated coupling enables the machinery to follow the tractor movement perfectly. Manoeuvring stages are simple to carry out, whatever the layout of the buildings.





The advantages of a Straw chopper

CONTINUING INNOVATION:

All C-KATOR straw choppers are fitted with a patented cutting concept adaptable to different straw-bedding requirements. The cut-off plate and the chopping area work together and guarantee a cut size from 4 to 15cm.

• The concept:

Cut-off plate: rectangular unit (320mm long and 10mm thick) in Creusabro 4800 Steel, which precision cuts the straw.

Chopping area: Space 107mm deep ensuring a minimum cut size of 4cm, according to position.

• The process:

When the cut-off plate is activated, straw cutting is intensified by a scissor effect prompted by the turbine's smooth blades.

When the chopping area is open, the strands of straw are

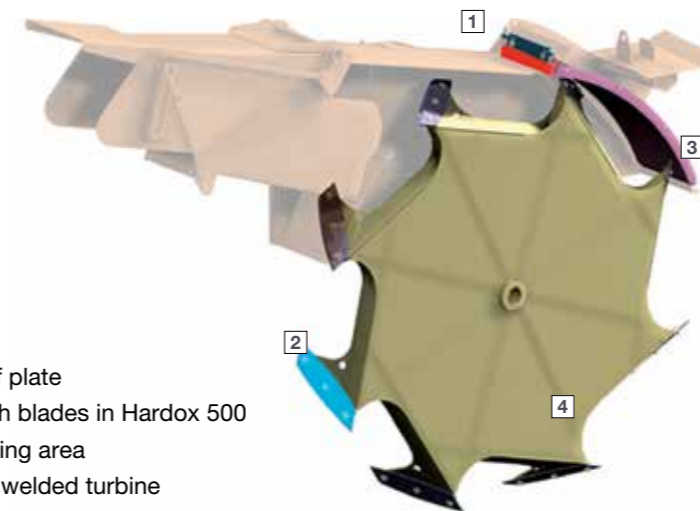
gathered there by a recycling principle. The smooth blades then cut the straw into sections to get short strands.

When the chopping area is closed, the cutting system is deactivated and long strands are allowed to exit to create a standard straw-bedding.

• Developments:

This system can be activated manually (standard) or hydraulically (optional) from the tractor cab.

In order to better meet different requirements, the C-KATOR range can be fitted with a swiveling chute and a sprayer.



- 1 Cut-off plate
- 2 Smooth blades in Hardox 500
- 3 Chopping area
- 4 ø1.6m welded turbine

A guaranteed return on investment

LUCAS G. knows that buying raw materials is a significant burden on farmers. The cost of buying a chopped bale of straw is on average 40% higher than that of buying a non-chopped bale. Using a straw-chopper enables absorption of the volatile part of this type of raw material and then allows you to make economies as soon as you start using it.

The C-KATOR range also lets you pre-cut for preparing mixture. Pre-cutting straw ensures less time taken for mixing and a reduction in fuel consumption.

In chop mode, the straw is spread better compared with standard use (15cm). As a result, annual consumption of straw bales is slightly reduced.

VERSATILITY AT YOUR SERVICE FOR LIVESTOCK FARMING AND AGRICULTURE:

The C-KATOR range can be used for different types of tasks and applications:

Poultry farming: Short straw for better absorption. The litter is renewed in a better way and remains in good condition for longer.

Cattle farming: Long straw for standard bedding. Short straw for stall bedding and pre-cut for mixed feeding.

Arable farming: Short straw for better absorption. Land and crops are protected against frost whilst preserving moisture.

The C-KATOR has been tested with several types of fodder for better adaptation to different uses. This machinery works just as well with wheat or rice straw as with miscanthus or again with hay for pre-cutting.

- ON Activated OFF Deactivated
- Poultry farming Cattle farming Arable farming

4CM CUT SIZE

ON Chopping area
 ON Cut-off plate

6CM CUT SIZE

8CM CUT SIZE

15CM CUT SIZE



MANAGED CONSUMPTION AND COST OF STRAW

Straw-bedding



Lateral chute
The lateral chute enables simple and regular straw-bedding over 10 metres to the right.



Swiveling chute
From the RAPTOR range, the swiveling chute guarantees powerful and uniform straw-bedding in one go. Its rotation over 270 degrees is perfectly adapted to all building layouts.

Lateral chute
10m straw-bedding

Swiveling chute
Straw-bedding 9m to the right 9m to the left

Model	32	63
Round bale ø1,60m	2	3
Round bale ø1,80m	1	2
Round bale ø2m	1	2
Square bale 1,20 x 1,20 x 2,50m	1	

Sprayer

The addition of a sprayer offers convenience of use while it limits the appearance of dust, adjustable nozzles are located at the flow outlet to prevent clogging of the chute when straw-bedding. It is possible to add soluble additives to the tank to sanitise the straw and guarantee a clean straw bed for the animals.

This system works simultaneously as the bed chain advances to avoid unnecessary use when the machinery is not straw-bedding. Located 1m10 above the ground, filling the tank and maintenance of the filter and pump are easy.



Steel protective housing



Number of adjustable nozzles	Capacity	Adjustable flow
Swiveling chute -0- : 5	85 L	3.7L/min (0L to 7L/min)
Lateral chute : 4	85 L	3.7L/min (0L to 7L/min)

Two controls



Comfort -C- Control
Enables ergonomic control of all functions of the machinery from the tractor cab.



Intuitive -B- Control
Enables simple control of all functions of the machinery from the tractor cab. Each button has its own function.

A selection of options



Hydraulic activation
Instant passage from short to long strands (4 to 15cm).



Swiveling Chute
Straw-bedding at 9 metres over 270 degrees.



2nd control unit
Control of rear collection door to save time when loading.

C-KATOR Standard equipment

- Mechanical shredder with V shaped knives
- Hydraulic comb
- Welded monobloc two speed cutting rotor fitted with 8 blades
- Manual chopping area
- Lateral right straw-bedding chute
- 600kg collection door
- Comfort -C- electric control
- Articulated coupling



Model	32	63
Capacity (m ³)	3	6
Number of shredders		1
Straw-bedding height with Lateral / -0- chute (mm)	1600/2620	1600/2500
Straw-bedding distance with Lateral chute (m)		10
Straw-bedding distance with Swiveling chute -0- (m)		9 - 9
Overall height Lateral chute / -0- (mm)	2070/2550	2110/2460
Overall width Lateral chute / -0- (mm)	2279/2190	2330/2090
Effective length (bucket filling) (mm)	1714	3352
Width at wheels (mm)	1980	2120
Overall length of door Open/Closed (mm)	5360/3770	7000/5410
Tractor Power (HP)		100
Oil flow min/max (L/min)		15 / 45
Pressure (bars)		160 / 200
Unladen weight (kg)	1970	2620
Tyres	10,0/75 - 15,3 • 14PR • ø760 mm	11,5/80 - 15,3 • 14PR • ø845 mm

Your LUCAS G. dealer



LUCAS G
focus on performance

Head Office
22, Rue du Stade, 85130 La Verrie
T : +33 (0)2 51 65 41 36 // F : +33 (0)2 51 65 41 51
lucasg@lucasg.com // www.lucasg.com

You Tube : Lucas G