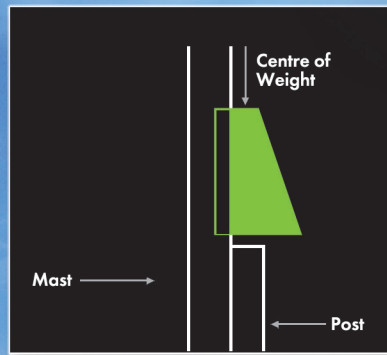


Kidd

FARM MACHINERY

POST DRIVERS



The higher the drop
the greater
the impact



POST DRIVERS TWY340



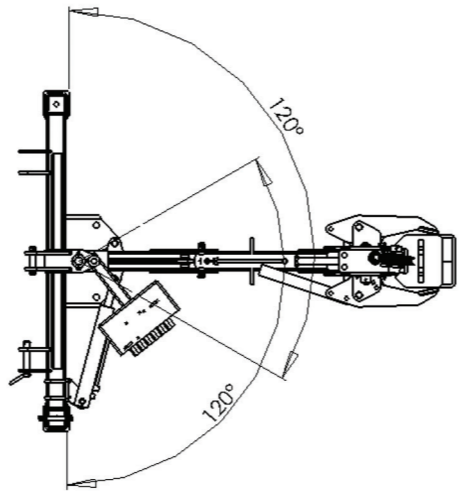
Folds neatly behind the tractor for transport



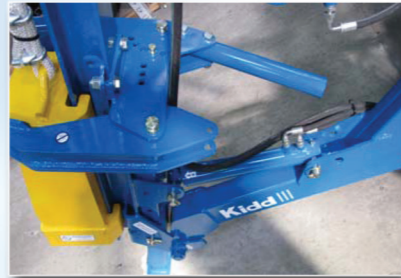
Telescopic or fixed boom option



Boom slew 180 degrees



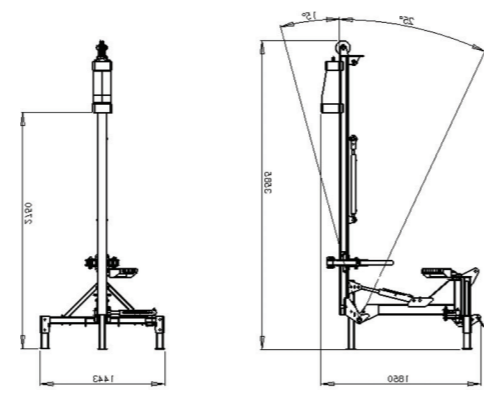
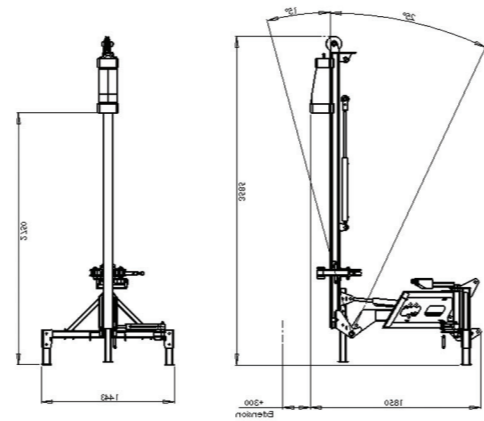
Gate posts and strainers



Post clamp – manual'



Post clamp – hydraulic'



Drives posts into the ground from 30 degrees angle

High Lift POST DRIVERS



Will work behind or to the side of any tractor



Will fit diggers of 3 ton plus and tractor front end loaders



The rock spike option is an ideal accessory for harder or stony ground conditions



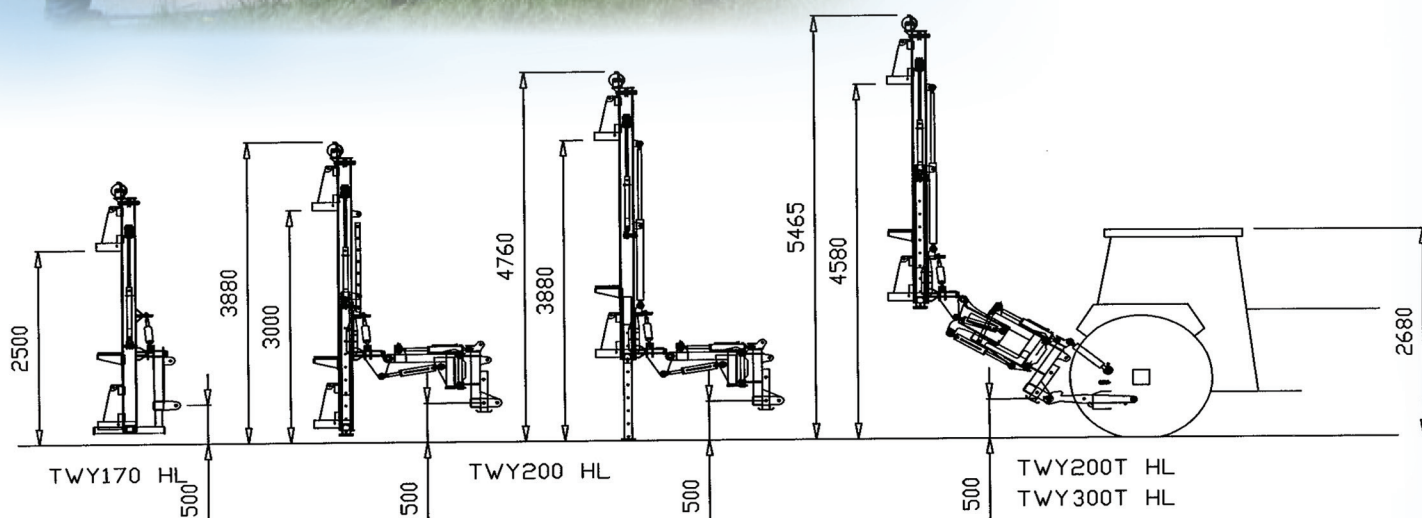
TWY170HL in parked position ready for 3 point tractor linkage



Despite the long mast for greater impact all post drivers fold neatly behind the tractor for transport



For mounting to
Loaders, Diggers,
large and small
Tractors



Post Driver Model Chart

Model	Tapered Weight (kg)	Vertical Weight Lift	Swing Round (degrees)	Digger Loader	Mast Vertical Telescopic	Boom Telescopic	Post Retention	Rock Spike
TWY 340 S	200	Y	180	n/a	n/a	n/a	Calliper	n/a
TWY 340 S 3H	200	Y	180	n/a	n/a	n/a	Calliper	n/a
TWY 340 ST 4H	200	Y	180	n/a	n/a	Y	Calliper	n/a
TWY 340 ST 5H	200	Y	180	n/a	n/a	Y	Calliper	n/a
TWY 340 ST 6H	200	Y	180	n/a	n/a	Y	Calliper	n/a
TWY 175 HL	200	Y	n/a	Y	n/a	n/a	Calliper	n/a
TWY 175 C HL	120	Y	n/a	Y	n/a	n/a	Calliper	n/a
TWY 170 HL	200	Y	n/a	Y	n/a	n/a	Calliper	n/a
TWY 200 HL	200	Y	180	n/a	Y	n/a	Strike Plate	Option
TWY 200 SC 4H	200	Y	180	n/a	n/a	n/a	Calliper	Option
TWY 250 HL	250	Y	180	n/a	Y	n/a	Strike Plate	Option
TWY 200T SC 5H	200	Y	180	n/a	n/a	Y	Calliper	Option
TWY 200 T HL	200	Y	180	n/a	Y	Y	Strike Plate	Option
TWY 300 T HL	250	Y	180	n/a	Y	Y	Strike Plate	Option

Kidd Farm Machinery Ltd
 Folly Road · Roundway · Devizes
 Wiltshire · SN10 2HT · UK
 T: +44 (0) 1380 726085
 F: +44 (0) 870 928 9552
 E: sales@kiddltd.com



www.kiddltd.com

