

ISUZU
THE PICK-UP
PROFESSIONALS



THE ALL-NEW ISUZU D-MAX
BUSINESS
RANGE

isuzu.co.uk

THE ALL-NEW ISUZU D-MAX

BUSINESS RANGE

Built for performance under the most demanding working conditions, the All-New Isuzu D-Max Business range combines durability with new levels of safety and comfort. The Utility model is the smart choice for professionals who put their pick-up to work.



FIVE
YEAR
125K MILE
WARRANTY

3.5
TONNE
TOWING
CAPACITY

— OVER —
1.1
TONNE
PAYLOAD

164
PS

5 YEAR
UK
& EU
ROADSIDE
ASSISTANCE

12 YEAR
ANTI-CORROSION
WARRANTY

VAT
BACK
QUALIFIED

NO
SPEED
RESTRICTIONS

“The D-Max is still the pick-up you'd choose if you want one not afraid to put a bit of serious dirt beneath its wheels.” RAC DRIVE

*5 year / 125,000 miles (whichever comes first) warranty applies to all new Isuzu D-Max models. **3.5 tonne towing applies to all 4x4 models. *Single cabs are subject to commercial vehicle speed limits.

SMARTER.

The Isuzu D-Max Utility is packed with intelligent drive features that let you focus on the job.



TOUGH EXTERIOR

Available in a choice of single, extended or double cab, there's an Isuzu D-Max Utility for all requirements.

Equipped with durable steel wheels and hard-wearing black plastic bumpers, door mirrors and door handles, the Isuzu D-Max Utility is ideally suited to the working environment.

A step is integrated into the rear bumper making it easier to access the load area and a tailgate damper is standard on Utility Double Cabs.



INTELLIGENT DRIVE

Automatic headlights feature high beam assist and automatic windscreen wipers will activate when moisture is detected on the windscreen.

Speed-sensitive power steering makes steering lighter at lower speeds, so it's easy to manoeuvre in tight spaces, and heavier at higher speeds for stability and control.

Improve fuel economy and reduce emissions with our Stop & Start system. This efficient feature turns off the engine momentarily when the truck is at a standstill.

SMARTER.



PRACTICAL INTERIOR

Vinyl flooring and cloth upholstery are the ideal partner for working environments.

An ergonomic seat design improves comfort and reduces fatigue with a 6-way adjustable driver's seat and lumbar support as standard. Perfect for trucks with multiple drivers, the height and reach adjustable steering wheel guarantees that all operators can achieve their correct seating position.

Air conditioning, cruise control, DAB and Bluetooth® ensure the cabin is a comfortable and convenient place to work.



STRONGER.

With formidable load and towing capacity, the All-New Isuzu D-Max is built to get the job done.



STRONG HAUL FOR THE LONG HAUL

Carrying over a 1.1 tonne payload, the Isuzu D-Max Utility loves work loads.

It has a 3.5 tonne towing capacity* and is equipped with trailer sway control* that can detect the onset of trailer swing and reduce vehicle speed if sway is identified.

*4x4 models only

ALL-TERRAIN CONFIDENCE

4WD shift-on-the-fly* has three configuration settings to suit different terrains and conditions.

Hill Start Assist and Hill Descent Control are standard on all Utility models. This practical specification helps the driver negotiate hills smoothly and get the job done safely.

Built on a durable ladder chassis, the Utility has additional underbody protection covers to safeguard key components when travelling off-road.

“The proven off-road ability and toughness will be appreciated by commercial users.”

AUTOTRADER



SAFER.

Best-in-class safety features—plus a maximum 5 star NCAP rating—take pick-up safety to a whole new level.



THE ALL-NEW ISUZU D-MAX BUSINESS RANGE

ADVANCED DRIVER ASSIST SYSTEMS (ADAS)

FORWARD COLLISION WARNING

Monitors the road ahead and alerts the driver of a potential collision.

AUTONOMOUS EMERGENCY BRAKING

Automatically applies the brakes to either prevent an accident or reduce the severity of an impact depending on speed.

TRAFFIC SIGN RECOGNITION

Reads standard road signs ahead and displays any change in speed limit on the Multi-Information Display.

INTELLIGENT SPEED LIMITER

Keeps vehicle speed below the speed limit of the road it is travelling along.

LANE DEPARTURE WARNING

Alerts the driver if they are about to drift out of their lane.

LANE DEPARTURE PREVENTION SYSTEM

Adjusts steering direction to help prevent lane departure if the vehicle is about to depart its lane without indicating.

BLIND SPOT MONITOR¹

Detects vehicles in the driver's blind spot and alerts the driver via an orange warning light in the door mirror.

EMERGENCY LANE KEEPING¹

If there is a vehicle in the driver's blind spot when changing lanes, the system will adjust the steering direction to prevent the lane change and avoid the collision.

REAR CROSS TRAFFIC ALERT¹

Detects vehicles approaching from the left or right while reversing out of a parking space.

ADAS are driving support systems which may not operate optimally under all driving conditions or for all objects. The driver is always responsible for safe and attentive driving and observance of traffic regulations. See Owner's Manual for complete details on system operation and limitations. ¹Double Cab models only.



BLIND SPOT MONITOR¹



STEREO CAMERA

“It has clever autonomous driving aids that you might struggle to find on some luxury cars, helping it to achieve five stars.”

WHAT CAR? MAGAZINE

UTILITY 4x2 & 4x4 SINGLE CAB

If capacity is a priority, the single cab measures up with our longest load bed of 2,315mm.



UTILITY 4x4 DOUBLE CAB

Our most versatile cab type, it will comfortably seat up to five occupants while the standard size load bed will accommodate all of your tools.



UTILITY 4x4 EXTENDED CAB

Offering an extended load bed of 1,805mm, it has the flexibility to carry two additional passengers on folding rear seats.



KEY FEATURES

EXTERIOR

- ❑ Automatic Headlights with High Beam Assist
- ❑ Automatic Windscreen Wipers with Rain Sensor
- ❑ Steel Wheels
- ❑ Full Size Spare Wheel
- ❑ Tailgate Damper (Double Cab Only)

INTERIOR

- ❑ Cloth Upholstery
- ❑ 6-Way Adjustable Driver's Seat
- ❑ Driver's Seat Lumbar Support
- ❑ Front Cup Holders
- ❑ Front Door Pockets with Bottle Holder
- ❑ Vinyl Floor Covering

ENTERTAINMENT

- ❑ Bluetooth® Connectivity
- ❑ DAB Radio
- ❑ CD Player
- ❑ Two Speakers
- ❑ Front USB Port

COMFORT & CONVENIENCE

- ❑ Height and Reach Adjustable Steering Wheel
- ❑ Steering Wheel Mounted Audio & Cruise Controls
- ❑ 4.2" Multi-Information Display
- ❑ Manual Air Conditioning
- ❑ 12-Volt Power Outlet

SAFETY & SECURITY

- ❑ 4WD Shift-On-The-Fly*
- ❑ Speed-Sensitive Power Steering
- ❑ Trailer Sway Control*
- ❑ Hill Start Assist & Hill Descent Control
- ❑ Advanced Driver Assist Systems (ADAS)
- ❑ Stop & Start System**

*4x4 models. **According to conditions, the Stop & Start system will automatically stop and restart the engine when the vehicle comes to a standstill to reduce fuel consumption and emissions.

VEHICLE SPECIFICATION

Key: ■ Standard - Unavailable □ No Cost Option

EXTERIOR	4X2 SINGLE CAB	4X4 SINGLE CAB	EXTENDED CAB	DOUBLE CAB
Halogen Headlights	■	■	■	■
Halogen Daytime Running Lights	■	■	■	■
Automatic Headlights	■	■	■	■
High Beam Assist	■	■	■	■
Rear Fog Lights	■	■	■	■
Automatic Windscreen Wipers with Rain Sensor	■	■	■	■
Heated Rear Screen	-	-	■	■
Black Radiator Grille	■	■	■	■
Black Front Bumper	■	■	■	■
Black Rear Bumper with Integrated Step	■	■	■	■
Black Door Mirrors	■	■	-	-
Heated Black Door Mirrors	-	-	■	■
Black Door Handles	■	■	■	■
Integrated Fuel Filler Cap with AdBlue	■	■	■	■
Tailgate Damper	-	-	-	■
WHEELS				
16" Steel Wheels	■	■	-	-
18" Steel Wheels	-	-	■	■
Full Size Spare Wheel - Steel	□	□	□	□

INTERIOR	4X2 SINGLE CAB	4X4 SINGLE CAB	EXTENDED CAB	DOUBLE CAB
Cloth Upholstery	■	■	■	■
6-Way Adjustable Driver's Seat (Manual)	■	■	■	■
Driver's Seat Lumbar Support (Manual)	■	■	■	-
Driver's Seat Lumbar Support (Power)	-	-	-	■
Flat Folding Rear Seats	-	-	-	■
60/40 Folding Seat Base	-	-	-	■
Under Seat Base Storage	-	-	■	■
Height Adjustable Rear Headrests	-	-	-	■
Front Cup Holders (Centre Console & Dash - Driver & Passenger Sides)	■	■	■	■
Front Door Pockets with Bottle Holder	■	■	■	■
Rear Door Pockets with Bottle Holder	-	-	-	■
Vinyl Floor Covering	■	■	■	■
Driver's Foot Rest	■	■	■	■
ENTERTAINMENT				
Bluetooth® Connectivity	■	■	■	■
DAB Radio	■	■	■	■
CD Player	■	■	■	■
Two Speakers	■	■	■	■
Front USB Port	■	■	■	■

COMFORT & CONVENIENCE	4X2 SINGLE CAB	4X4 SINGLE CAB	EXTENDED CAB	DOUBLE CAB
Remote Control Central Locking	■	■	■	■
Follow Me Home Light	■	■	■	■
Power Windows (Front Only) ¹	■	■	■	-
Power Windows (Front & Rear) ¹	-	-	-	■
Sunglass Holder & Overhead Console	■	■	■	■
Map Lights	■	■	■	■
Driver & Passenger Sun Visors	■	■	■	■
Height and Reach Adjustable Steering Wheel	■	■	■	■
Steering Wheel Mounted Audio & Cruise Controls	■	■	■	■
12-Volt Power Outlet	■	■	■	■
Gear Shift Indicator	■	■	■	■
4.2" Multi-Information Display	■	■	■	■
CLIMATE CONTROL				
Manual Air Conditioning	■	■	■	■
ADVANCED DRIVER ASSIST SYSTEMS²				
Cruise Control	■	■	■	■
Forward Collision Warning	■	■	■	■
Autonomous Emergency Braking	■	■	■	■
Traffic Sign Recognition	■	■	■	■
Intelligent Speed Limiter ³	■	■	■	■
Lane Departure Warning & Prevention System	■	■	■	■
Blind Spot Monitor	-	-	-	■
Emergency Lane Keeping	-	-	-	■
Rear Cross Traffic Alert	-	-	-	■

SAFETY & SECURITY	4X2 SINGLE CAB	4X4 SINGLE CAB	EXTENDED CAB	DOUBLE CAB
4WD Shift-On-The-Fly	-	■	■	■
Speed-Sensitive Power Steering	■	■	■	■
ESC (Electronic Stability Control)	■	■	■	■
Traction Control	■	■	■	■
Trailer Sway Control	-	■	■	■
ABS (Anti-Lock Braking System)	■	■	■	■
EBD (Electronic Brakeforce Distribution)	■	■	■	■
Brake Assist System	■	■	■	■
Hill Start Assist	■	■	■	■
Hill Descent Control	■	■	■	■
E-Call	■	■	■	■
Multi-Collision Brake	■	■	■	■
Security Etched Glass	■	■	■	■
Insurance Approved Immobiliser	■	■	■	■
Alarm with Deadlock	■	■	■	■
Front, Side, Curtain & Driver Knee SRS Airbags ⁴	■	■	■	■
Centre SRS Airbag ⁴	-	-	-	■
Passenger Airbag Deactivation Switch	■	■	■	■
Height Adjustable Front Seatbelts with Pretensioner & Load Limiter	■	■	■	■
2 x Three-Point Rear Seatbelts (Side)	-	-	■	-
3 x Three-Point Rear Seatbelts (Side & Centre)	-	-	-	■
ISOFIX Child Seat Anchors with Top Tether Anchors (2 x Rear Side)	-	-	-	■
Rear Door Child Locks	-	-	-	■
Seatbelt Reminder Indicator (All Seating Positions)	■	■	■	■
Door Open Warning Light	■	■	■	■
Stop & Start System ⁵	■	■	■	■

¹Driver side has auto up/down function, with pinch protection and timer. ²ADAS are driving support systems which may not operate optimally under all driving conditions or for all objects. The driver is always responsible for safe and attentive driving and observance of traffic regulations. See Owner's Manual for complete details on system operation and limitations. ³Manual & Intelligent Speed Limiter.

⁴SRS: Supplemental Restraint System. Must be used in conjunction with seatbelts. ⁵According to conditions, the Stop & Start system will automatically stop and restart the engine when the vehicle comes to a standstill to reduce fuel consumption and emissions.

TECHNICAL SPECIFICATION

ENGINE	4X2 SINGLE CAB	4X4 SINGLE CAB	EXTENDED CAB	DOUBLE CAB
Engine Type			R24E	
Fuel Type			Diesel	
Arrangement Cylinders			4, In line	
Firing Order			1-3-4-2	
Bore mm			80.0	
Stroke mm			94.4	
Compression			15.9	
Engine Capacity cm ³			1898	
Idle Speed			750+/- 25	
Fuel Tank Capacity Litres			76	
GEAR RATIOS				
1	4.942	4.942	4.942	4.942
2	2.452	2.452	2.452	2.452
3	1.428	1.428	1.428	1.428
4	1.000	1.000	1.000	1.000
5	0.749	0.749	0.749	0.749
6	0.634	0.634	0.634	0.634
Reverse	4.597	4.597	4.597	4.597
Final Drive	4.100	4.100	4.300	4.300
PERFORMANCE				
Net Power PS @ rpm			164 @ 3600	
Torque Nm @ rpm			360 @ 2000 - 2500	
Maximum Speed (mph)			112	
Acceleration (0-62mph) sec			12.7	
FUEL CONSUMPTION WLTP (MPG)*1				
Low			27.6	
Mid			36.4	
High			39.4	
Extra-High			30.8	
Combined			33.6	
CO ₂ emissions g/km			220	
Emissions Class			Euro 6D	

*1MPG figures are EU test figures for comparative purposes and may not reflect real driving results. There is a new WLTP test used for fuel consumption and CO₂ figures. The fuel consumption and CO₂ emissions shown are based on the WLTP testing method. Only compare fuel consumption and CO₂ figures with other vehicles tested to the same technical standard. The fuel consumption you achieve in real life conditions and CO₂ produced will depend upon a number of factors including accessories fitted (post-registration), variations in weather, driving styles and vehicle load etc. **Maximum payload capacity as defined by HM Revenue and Customs for VAT purposes. Payload is gross vehicle weight minus kerb weight. Kerb weights quoted are for vehicles with standard specification. Kerb weight and payload may be influenced by badge level, factory options and dealer fitted accessories. It is the responsibility of the vehicle operator to ensure their vehicle is legally compliant for road use.

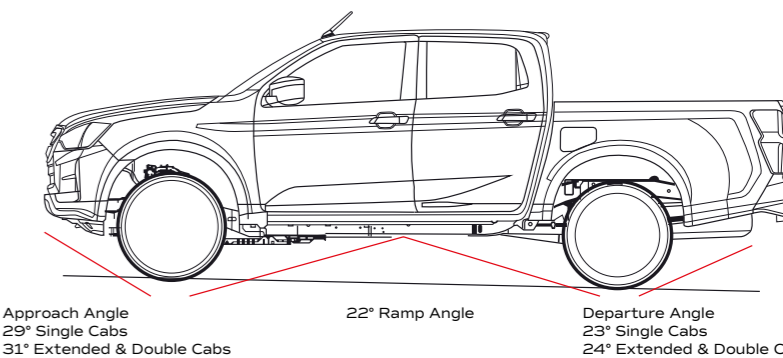
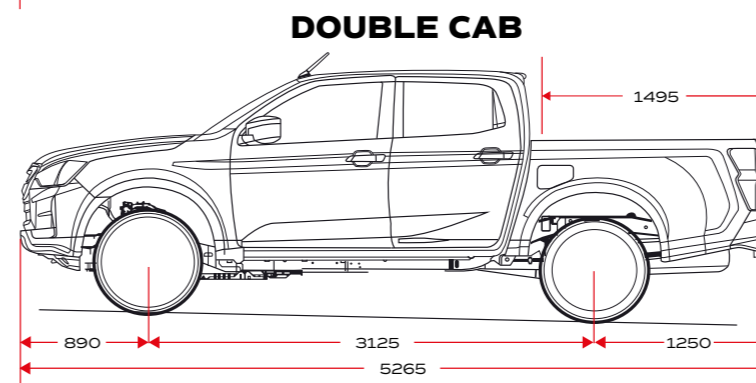
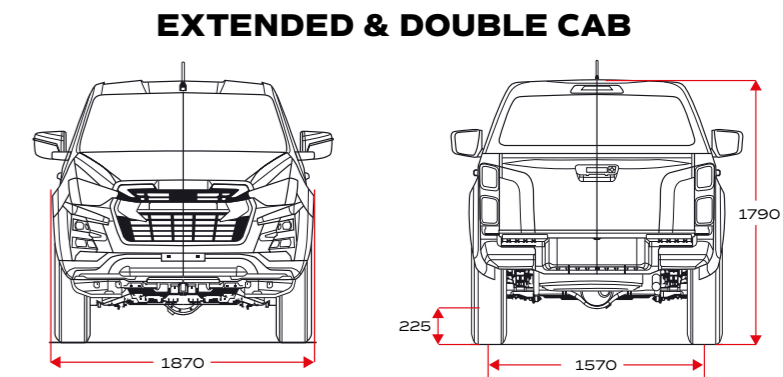
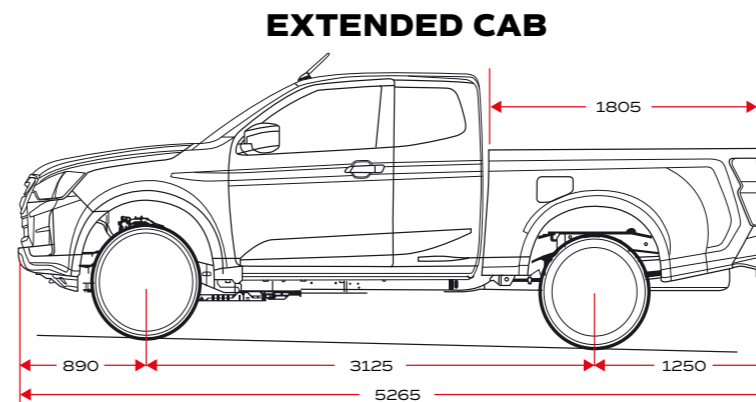
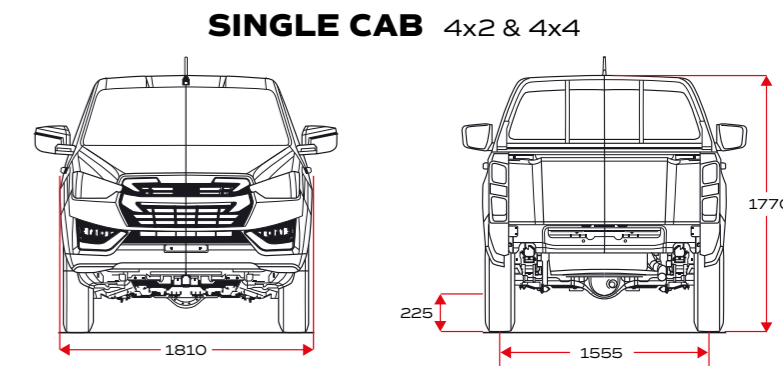
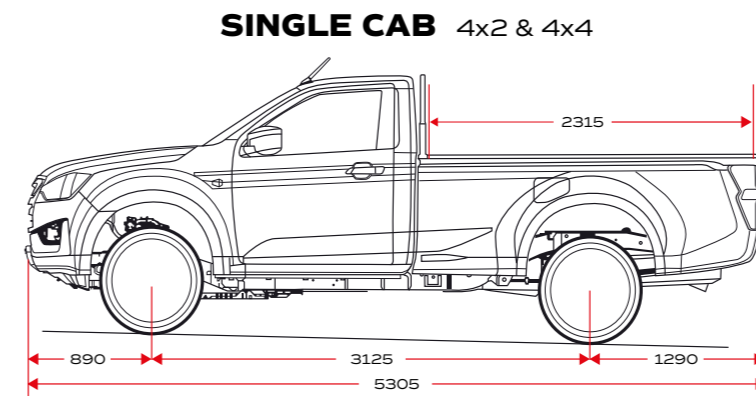
DIMENSIONS	4X2 SINGLE CAB	4X4 SINGLE CAB	EXTENDED CAB	DOUBLE CAB
Length mm	5305	5305	5265	5265
Width mm	1810	1810	1870	1870
Height mm	1770	1770	1790	1790
Front Overhang mm	890	890	890	890
Rear Overhang mm	1290	1290	1250	1250
Wheelbase mm	3125	3125	3125	3125
Track (Front & Rear) mm	1555	1555	1570	1570
Ground Clearance mm (Rear Axle)	225	225	225	225
Approach Angle (deg.)	29	29	31	31
Departure Angle (deg.)	23	23	24	24
Ramp Angle (deg.)	22	22	22	22

LOAD BED DIMENSIONS				
Length mm	2315	2315	1805	1495
Width mm	1530	1530	1530	1530
Depth mm	465	465	490	490

WEIGHTS				
Kerb Weight kg	1795	1895	1960	1985
Gross Vehicle Weight kg	3000	3100	3100	3100
Payload** kg	1205	1205	1140	1115
Max Front Axle kg	1450	1450	1450	1450
Max Rear Axle kg	1910	1910	1910	1910
Trailer Weight Braked kg	2500	3500	3500	3500
Trailer Weight Unbraked kg	750	750	750	750
Nose Weight kg	100	245	245	245
Gross Train Weight kg	5500	6000	6000	6000

WHEELS & TYRES				
Tyres	205 R16C	205 R16C	265/60R18	265/60R18
Wheels	16x6.5 J	16x6.5 J	18x7.5 J	18x7.5 J

VEHICLE DIMENSIONS



All measurements in mm.

WHEELS & TRIM.



16" STEEL WHEELS



18" STEEL WHEELS

COLOURS.



SPLASH WHITE



MERCURY SILVER METALLIC



OBSIDIAN GREY MICA



ONYX BLACK MICA

ISUZU
THE PICK-UP
PROFESSIONALS



[isuzu.co.uk](https://www.isuzu.co.uk)

Isuzu (UK) LTD reserve the right to change specifications and equipment without notice. Features and specification may vary in appearance and/or availability. For full details please contact your local Isuzu dealer or visit [isuzu.co.uk](https://www.isuzu.co.uk)

Part No. IB552